

## Oliver Kids Single Bed

### IMPORTANT READ CAREFULLY! KEEP FOR FUTURE REFERENCE

- Read all instructions before assembly. KEEP INSTRUCTIONS FOR FUTURE USE
- Save all packing materials until assembly is complete to avoid accidentally discarding fittings
- All assembly fastenings should always be tightened properly and care should be taken to ensure that no fittings are loose
- Once bed is assembled, do not sit, stand or apply weight directly to slats unless mattress is in place

### PRODUCT CARE

- Wipe clean using a soft damp cloth followed by dry cloth
- Do not use abrasives or cleaning products which may contain ammonia or solvents
- Take Care when handling or moving furniture. Careless handling can damage furniture, try to lift rather than dragging. This bed is intended to be dismantled for storage or transportation.

### WARNINGS

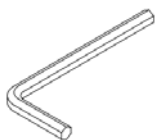
- Assembly fittings should always be tightened properly and checked periodically
- Children are likely to play, bounce, jump and climb on beds, therefore this child's bed should not be placed too close to other furniture, windows, blind cords, curtain pulls or other strings or cords, and should be placed either tight to any wall or have a gap of 300mm between the wall and the side of the bed.
- Replacement parts can be obtained from your retailer.
- Do not use this bed if any parts are missing, torn or broken.

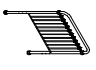





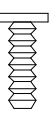
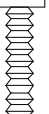



**WARNING** this bed is NOT suitable for children under 4 years

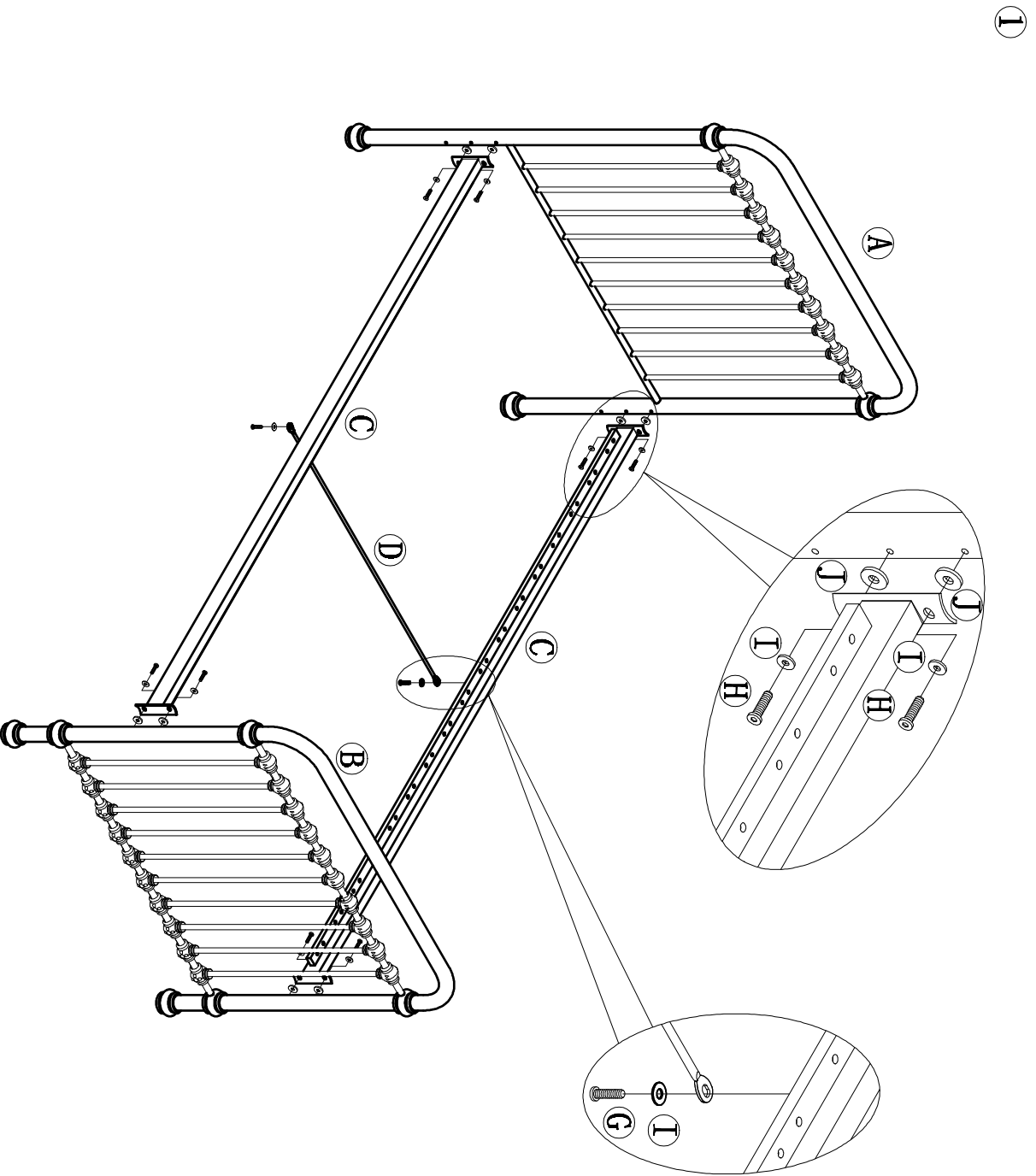
- Mattress size 90cmx190cm
- This child's bed conforms to BS 8509:2008+A1:2011
- Supplied by: feather & black
- WARNING. Do not place this Child's bed near heat sources, Windows and other furniture

### TOOLS REQUIRED:

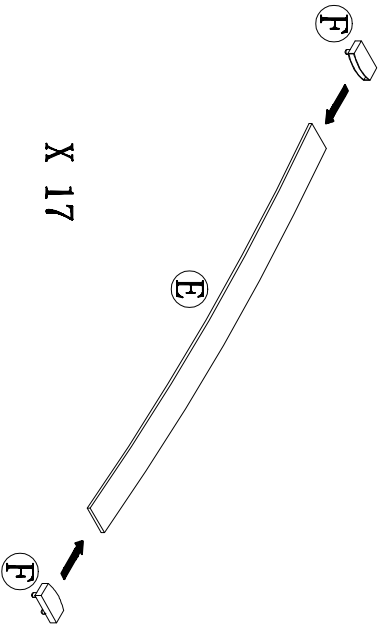
- Please use Allen key



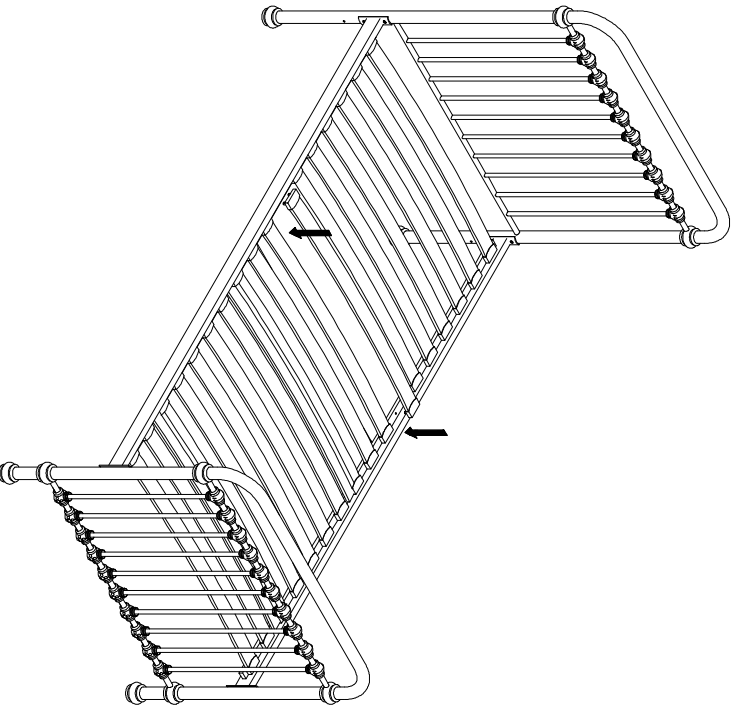
PARTS	QTY
	1PC
	1PC
	2PCS
	1PC
	17PCS
	34PCS
	2PCS
	8PCS
	10PCS
	8PCS
	1PC



2



X 17



3

